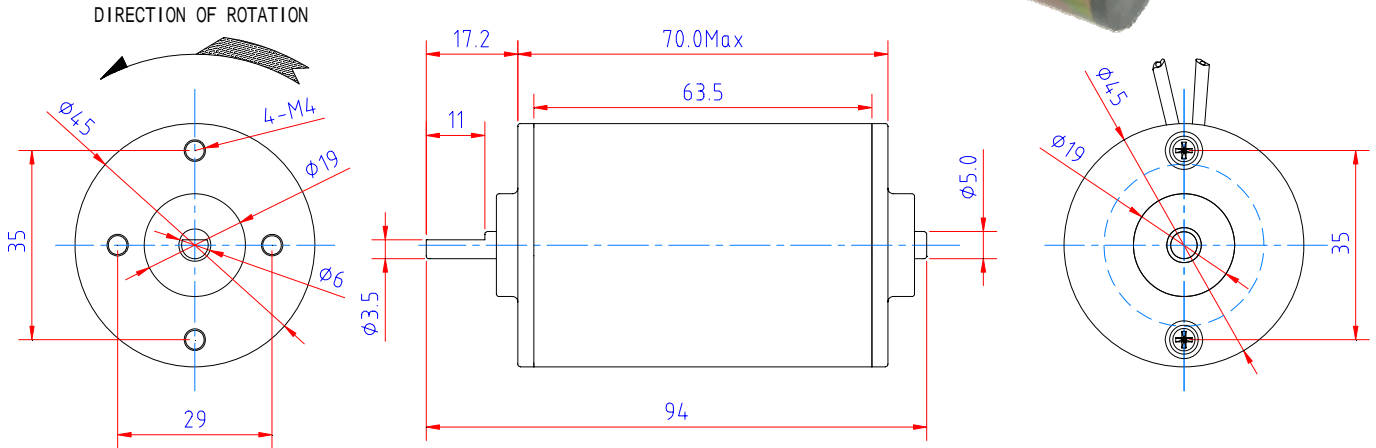
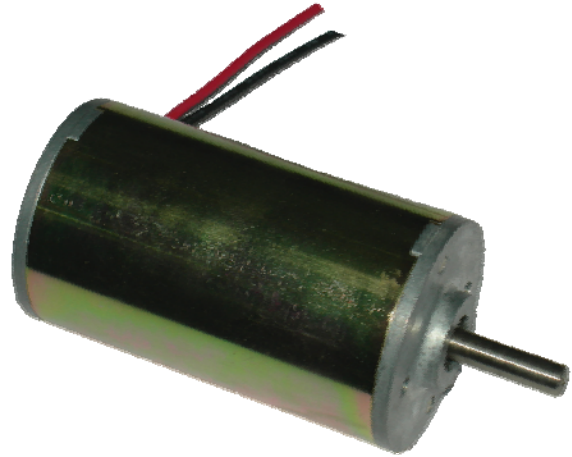


JD-45ZYT05-3860

Magnet :Ferrite
Insulation Class:B , F
Protection:No
Shaft Diameter:3.175 ~ 8mm
Bearing :Ball / Sleeve
Winding :

- 1.Working voltage range:6 ~ 36VDC
- 2.rated speed range:2,000 ~ 18,000 RPM
- 3.output power range:5 ~ 60 W

Motor Dimensions (电机外形尺寸)



Motor Parameters (电机参数)

Model	Rated Voltage	No Load		Rated					Motor Length	
		Speed	Current	Speed	Current	Torque		Power		Efficiency
		RPM	Amp	RPM	Amp	oz-in	mN.m	W		%
JD-45ZYT05-3860	12	3000	0.3	2500	1.5	5.95	42.0	11.16	62.0%	70

Motor Test Curve (电机特性曲线)

