

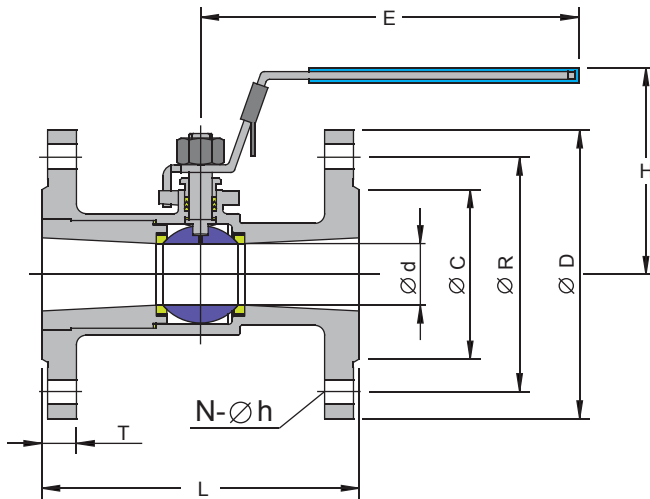
Ball Valve

WB-A01F

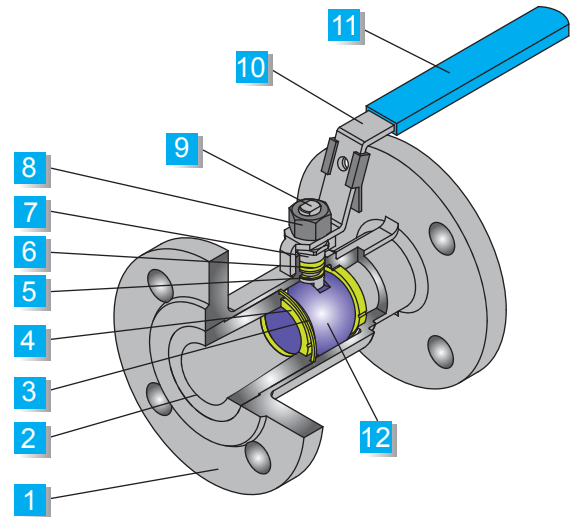
1-PC Ball Valve 10K/150LB Flange End, Reduce Bore

FEATURES:

- Face to Face: JIS B2002/ANSI B16.10
- Flange Standard: JIS B2239/ANSI B16.5
- Class 150LB/10K
- Investment Casting Body
- Pressure Blance Hole in Ball Slot
- Testing & Inspection: API 598
- Design Standard: ANSI B16.34



NO.	PART NAME	MATERIAL		
		CF8M	CF8	WCB
1	Body	CF8M	CF8	WCB
2	End Cap	CF8M	CF8	WCB
3	Body Gasket	PTFE		
4	Ball Seat	PTFE	RTFE	PEEK
5	Thrust Washer	PTFE		
6	V-Ring Packing	PTFE		
7	Stop Nut	SUS 304		
8	Stem Nut	A193-B8		
9	Stem	SUS 316	SUS 304	
10	Handle	SUS 304		
11	Handle Cover	Plastic		
12	Ball	CF8M	CF8	



Fire Safe Design Upon Requirement

Unit:mm

Size	L	ød	H	E	øC		øR		øD		T		N		h	
					10K	150LB	10K	150LB	10K	150LB	10K	150LB	10K	150LB	10K	150LB
1/2"	108	12	75	110	51	35	70	60.5	95	89	12	12.1	4	4	15	16
3/4"	117	15	80	120	56	43	75	70	100	98	14	12.1	4	4	15	16
1"	127	20	90	150	67	51	90	79.5	125	108	14	12.1	4	4	19	16
1-1/4"	140	25	95	150	76	64	100	89	135	117	16	12.7	4	4	19	16
1-1/2"	165	32	100	190	81	73	105	98.5	140	127	16	14.3	4	4	19	16
2"	178	40	110	190	96	92	120	120.5	155	152	16	15.9	4	4	19	19
2-1/2"	190	50	120	280	116	105	140	139.5	175	178	18	17.5	4	4	19	19
3"	203	65	130	280	126	127	150	152.5	185	190	18	19.1	8	4	19	19
4"	229	80	150	310	151	157	175	190.5	210	229	18	23.9	8	8	19	19