

Ball Valve

WS-3T,WS-3B,WS-3S

3-PC Stainless Steel Ball Valve Full Port,1000WOG

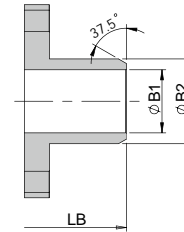
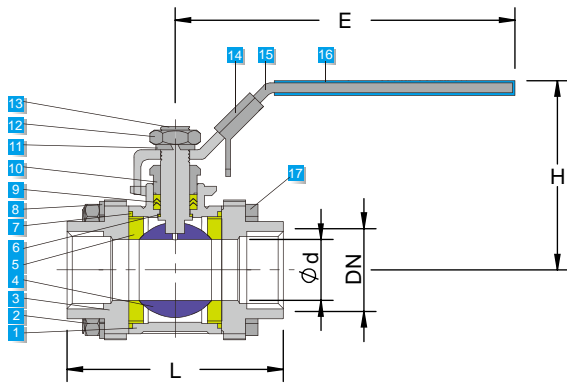
FEATURES:

- 〔Blow-out Proof Stem〕
- 〔Investment Casting Body〕
- 〔Pressure Blance Hole in Ball Slot〕
- 〔Full Port〕
- 〔Anti-Satic Device upon request〕
- 〔Various Thread Standard Available〕
- 〔Locking Device Available, [New Design](#)〕

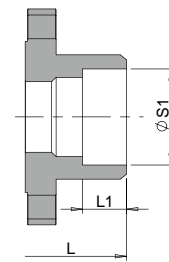
STANDARD:

- 〔Design: ASME B16.34,API608〕
- 〔Wall Thickness: 100% ASME B16.34,GB12224〕
- 〔Pipe Thread: ANSI B 1.20.1,BS 21/2779,DIN 259/2999,ISO 228〕
- 〔Inspection & Testing:API 598〕

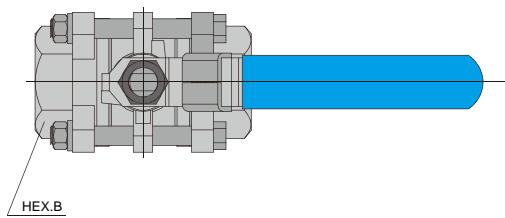
No.	PARTS NAME	MATERIAL		
1	Body	CF8M	CF8	WCB
2	Nut	SS304		
3	Cap	CF8M	CF8	WCB
4	Ball	CF8M	CF8	
5	Ball Seat	PTFE	R-PTFE	
6	Thrust Washer	PTFE		
7	Cap Gasket	PTFE		
8	Spring Washer	SS304		
9	Stem Packing	PTFE		
10	Nut Gland	SS304		
11	Spring Washer	SS304		
12	Nut	SS304		
13	Stem	SS304	SS316	
14	Locking Device	SS301		
15	Handle	SS304		
16	Handle Cover	Plstic		
17	Bolt	SS304		



Butt Welding End



Soket End



Unit:mm

DN	L	ød	H	E	L1	øS1	LB	øB1	øB2	HEX.B	END
1/4"	75	10.5	52	105	10	14.2	72	10.5	18	19	NPT BSPT BSP DIN PT etc...
3/8"	75	12.5	54	105	10	17.8	72	12.5	18	22	
1/2"	75	15	60	125	10	21.8	75	15	22	27	
3/4"	80	20	66	125	13	27.3	90	20	28	32	
1"	90	25	75	150	13	34	100	25	34	40	
1-1/4"	110	32	80	150	16	42.8	110	32	43	50	
1-1/2"	120	38	91	185	16	48.9	125	38	50	55	
2"	140	50	95	185	17	61.4	150	48	62	68.5	
2-1/2"	185	65	135	250	17	74	190	65	76.5	85	
3"	205	80	150	250	17	90	220	78	92	100	
4"	228	100	173	250	20	115.4	270	100	115	123	