

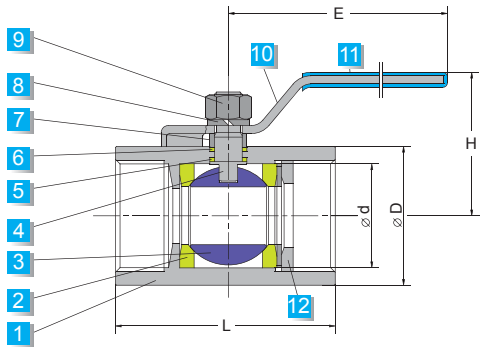
Ball Valve

WS-GL01F

1-PC Ball Valve 1000WOG,Reduce Bore

FEATURES:

- GB Standard
- Thread:NPT,BSP,BSPT,DIN
- 1000 WOG
- Forged Stainless Steel Body



Size	L	ød	øD	H	E
1/2"	60	10.5	33	63	120
3/4"	67	12	38	65	120
1"	73	18	45	70	120
1-1/4"	90	23	54	85	155
1-1/2"	98	25	65	89	155
2"	113	32	75	95	185



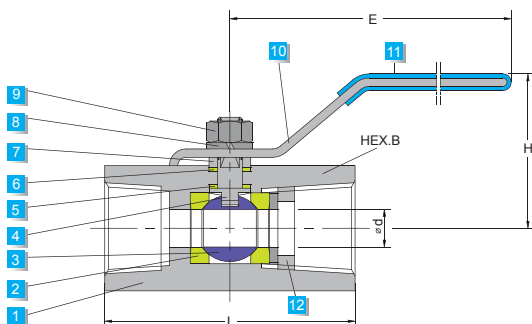
NO.	PART NAME	MATERIAL	
1	Body	SUS 316	SUS 304
2	Ball Seat	PTFE	
3	Ball	SUS 316	SUS 304
4	Stem	SUS 316	SUS 304
5	Thrust Washer	PTFE	
6	Stem packing	PTFE	
7	Gland	SUS 304	
8	Spring Washer	SUS 304	
9	Stem Nut	SUS 304	
10	Handle	SUS 301	
11	Handle Cover	Plastic	
12	End Plug	SUS 304	

WS-GL01F

1-PC Ball Valve Hexagon Type,Reduce Bore,2000WOG

FEATURES:

- GB Standard
- Thread:NPT,BSP,BSPT,DIN
- 2000 WOG
- Forged Steel Body



Size	L	ød	H	E	HEX.B
1/4"	45	5	38	75	22
3/8"	48	8	38	75	25
1/2"	61	10.5	60	110	30
3/4"	70	12.5	60	110	36
1"	87	15	65	120	46
1-1/4"	95	20	80	135	55
1-1/2"	105	25	80	145	61
2"	115	32	95	150	75



NO.	PART NAME	MATERIAL	
1	Body	A105	
2	Ball Seat	PTFE	
3	Ball	CF8M	CF8
4	Stem	SUS 316	SUS 304
5	Thrust Washer	PTFE	
6	Stem Packing	PTFE	
7	Gland	SUS 304	
8	Spring Washer	SUS 304	
9	Stem Nut	A193-B8	
10	Handle	SUS 301	
11	Handle Cover	Plastic	
12	End Plug	SUS 304	