

# Ball Valve

WB-02TH, WB-02SH, WB-02BH  
WB-02TL, WB-02SL, WB-02BL

2-PC Stainless Steel Ball Valve  
Full Port, 1000WOG, PN64 (ISO-Direct Mounting Pad)

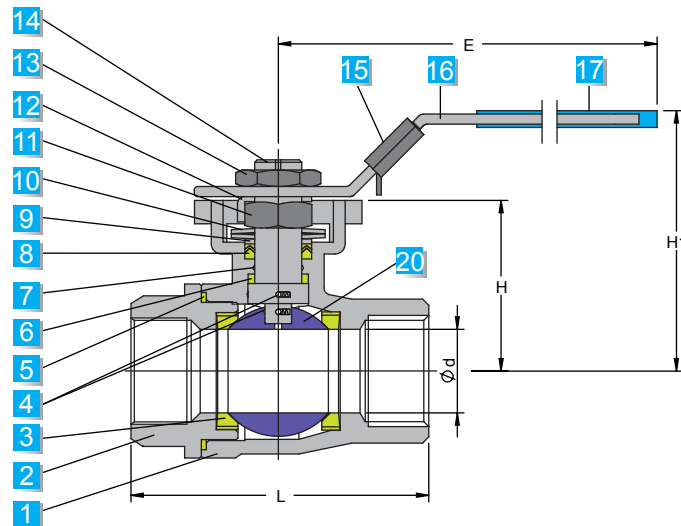
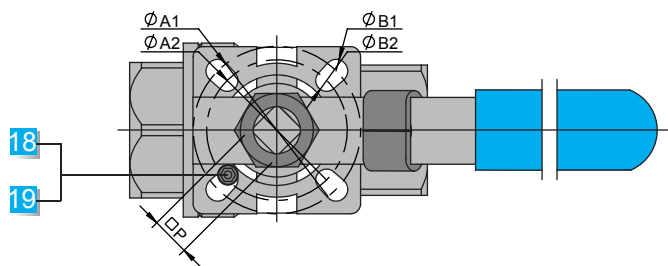
## FEATURES:

- Blow-out Proof Stem
- Investment Casting Body and Cap
- Pressure Balance Hole in Ball Slot
- Full Port
- Various Thread Standard Available
- Locking Device Available, *New Design*
- Anti-static Device For Ball-Stem-Body

## STANDARD:

- Designn: ASME B16.34, API608
- Wall Thickness: 100% ASME B16.34, GB12224
- Pipe Thread: ANSI B 1.20.1, BS 21/2779, DIN 259/2999, ISO 228
- Face to Face: DIN3202-M3
- Inspection & Testing: API 598

NO.	PART NAME	MATERIAL		
1	Body	CF8M	CF8	WCB
2	Cap	CF8M	CF8	WCB
3	Ball Seat	PTFE	RTFE	PEEK
4	Anti-Static Device	SUS 301		
5	Body Gasket	PTFE	RTFE	
6	Thrust Washer	PTFE	RTFE	
7	O-Rin	VITON(FKM)		
8	V-Ring Packing	PTFE	RTFE	
9	Gland	SUS 304		
10	Belleville Washer	SUS 301		
11	Stop Nut	A194-8		
12	Stop Washer	SUS 304		
13	Stem Nut	SUS 304		
14	Stem	SUS 316	SUS 304	
15	Locking Device	SUS 301		
16	Handle	SUS 304		
17	Handle Cover	Plastic		
18	Locking Bolt	SUS 304		
19	Nut	SUS 304		
20	Ball	CF8M	CF8	



Unit:mm

DN	$\phi d$	L	H	H1	E	$\phi d1$	$\phi d2$	$\phi c1$	$\phi c2$	■ P	ISO5211	HEX.B	End
1/4"	10.5	60	100	42	90	36	42	6	6	9	F03-F04	23.5	NPT BSPT PT DIN BSP etc...
3/8"	12.5	60	100	42	90	36	42	6	6	9	F03-F04	23.5	
1/2"	15	75	110	42	120	36	42	6	6	9	F03-F04	25	
3/4"	20	80	120	49	120	36	50	6	7	9	F03-F05	32	
1"	25	90	125	58	140	42	50	6	7	11	F04-F05	41	
1-1/4"	32	110	150	63	140	42	70	6	9	11	F04-F07	50	
1-1/2"	38	120	155	71	160	50	70	7	9	14	F05-F07	56	
2"	50	140	180	78	160	50	70	7	9	14	F05-F07	70	
2-1/2"	65	185	220	101	195	70	102	9	11	17	F07-F10	83	
3"	80	205	250	109	220	70	102	9	11	17	F07-F10	102	