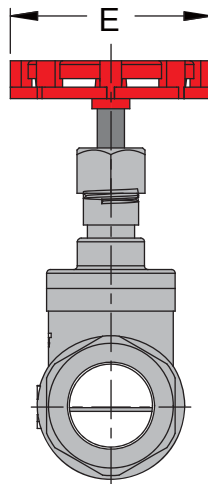
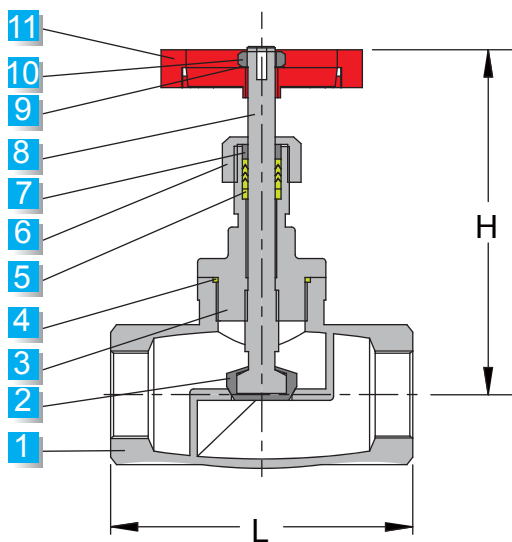


## FEATURES:

- Metal Seal
- Pipe Thread: NPT, BSPT, DIN259, DIN2999, ISO 228 Class A
- Class 200 WOG
- Investment Casting Body
- Wheel Handle Operate

NO.	PART NAME	MATERIAL	
1	Body	CF8M	CF8
2	Disc	CF8M	CF8
3	Cap	CF8M	CF8
4	Body Gasket	PTFE	
5	V-Ring Packing	PTFE	
6	Cap Nut	CF8M	
7	Gland	SUS304	
8	Stem	SUS316	SUS304
9	Washer	SUS304	
10	Stem Nut	SUS304	
11	Wheel Handle	Aluminum	



Unit:mm

Size	1/4"	3/8"	1/2"	3/4"	1"	1-1/4"	1-1/2"	2"
	DN6	DN10	DN15	DN20	DN25	DN32	DN40	DN50
L	65	65	65	80	90	105	120	140
H	85	85	85	95	110	120	135	150
E	70	70	70	80	80	80	95	95