

Ball Valve

WB-05TH

3-Way Stainless Steel Ball Valve
Reduce Port, 1000WOG, PN16/40

(ISO-Direct Mounting Pad)

FEATURES:

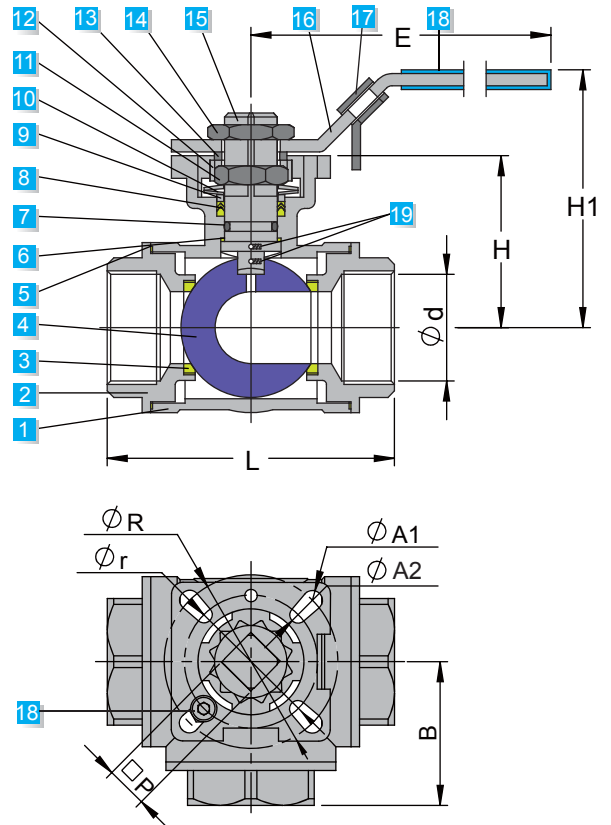
- Blow-out Proof Stem
- Anti-Static Device for Ball-Stem-Body
- Pressure Balance Hole in Ball Slot
- 2 Belleville Washer to Self-adjust Packing
- ISO 5211 Direct Mounting Pad for Easy Automation
- Locking Device Spring Handle, **New Design**
- L-Port, T-Port Available
- 1/4"-1-1/2" Full Bore, 1/2"-2" Reduce Bore

STANDARD:

- Design: ASME B16.34, API 608
- Wall Thickness: EN12516-3
- Pipe Thread: ASME B1.20.1, BS21
DIN 2999/259 ISO228/1
JIS B0203 ISO 7/1
- Butt-Weld: ASME B16.25(SCH 10,20,40)
- Socket Weld: ASME B16.11
- Flange End: ASME B16.5 CLASS 150/300
DIN 2653 PN10-PN40
JIS B2238 10K/20K
- Inspection & Testing: API 598, EN 12266



NO.	PART NAME	MATERIAL		
1	Body	CF8M	CF8	WCB
2	Cap	CF8M	CF8	WCB
3	Seat	PTFE	RTFE	
4	Ball	CF8M	CF8	
5	Cap Gasket	PTFE		
6	Thrust Washer	PTFE		
7	O-Ring	VITON(FKM)		
8	V-Ring Packing	PTFE		
9	Gland	SUS 304		
10	Belleville Washer	SUS 301		
11	Stop Nut	A194- B8		
12	Stop Washer	SUS 304		
13	Washer	SUS 304		
14	Stem Nut	SUS 304		
15	Stem	SUS 316	SUS 304	
16	Handle	SUS 304		
17	Locking Device	SUS 301		
18	Handle Cover	Plastic		
19	Anti-Static Device	SUS 301		



Unit:mm

Size	L	Ød	H	H1	E	B	□P	ØR	Ør	ØA1	ØA2	ISO 5211
1/4"	79	10	42	72	145	40	9	42	36	6	6	F03-F04
3/8"	79	10	42	72	145	40	9	42	36	6	6	F03-F04
1/2"	79	10	42	72	145	40	9	42	36	6	6	F03-F04
3/4"	88	15	49	80	145	44	9	50	36	7	6	F03-F05
1"	108	20	59.5	90	173	54	11	50	42	7	6	F04-F05
1-1/4"	124	25	63	95	173	62	11	70	42	9	6	F04-F05
1-1/2"	135	32	73.5	105	215	68	14	70	50	9	7	F05-F07
2"	164	40	82.8	110	215	82	14	70	50	9	7	F05-F07