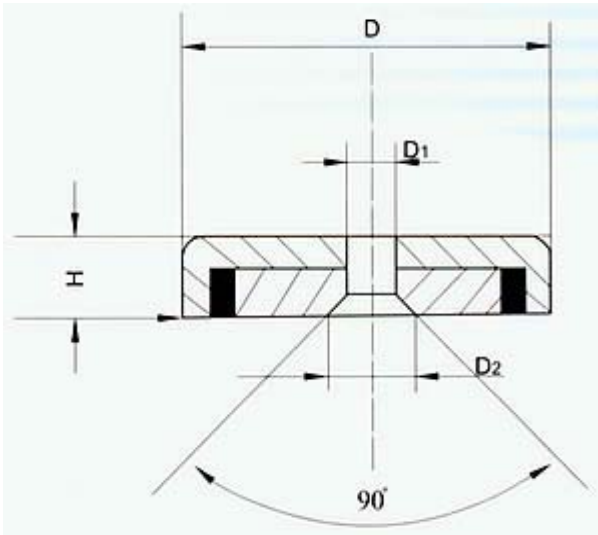


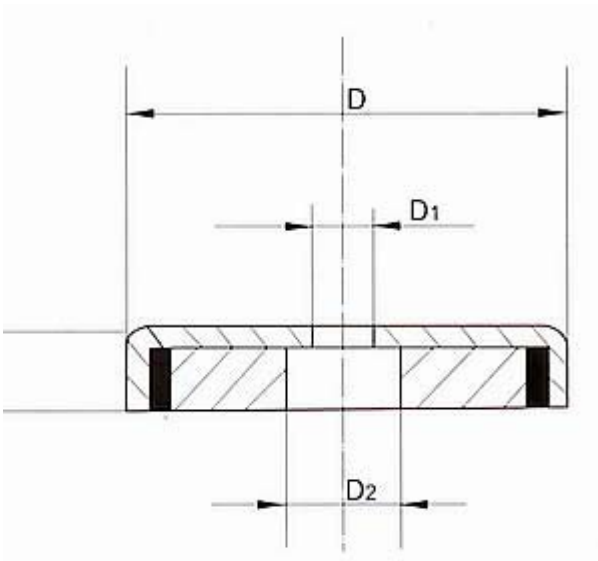
...Magnetic Pot...

PMYP-A, Round Attraction Magnet, Model A



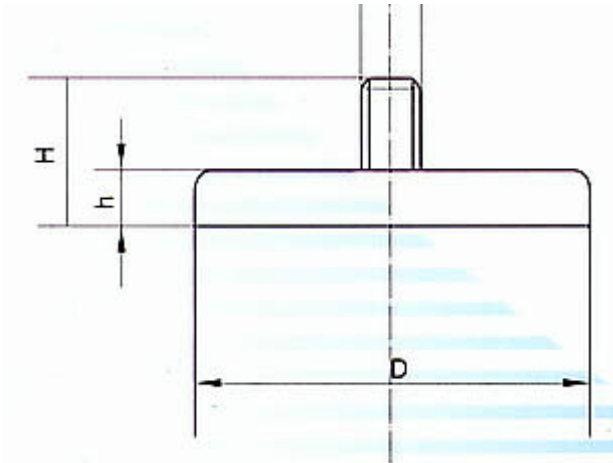
Model	DØ	D1Ø	D2Ø	H	Attraction (Kg)	Deadweight (g)
PMyp-A16	16	3.5	6.5	5	5	7
PMyp-A20	20	4.5	8.6	7	6	13
PMyp-A25	25	5.5	10.4	8	14	23
PMyp-A32	32	5.5	10.4	8	25	39
PMyp-A42	42	6.5	12	9	37	76
PMyp-A48	48	8.5	16	11.5	68	120
PMyp-A60	60	8.5	16	15	112	252
PMyp-A75	75	10.5	19	18	162	488

PMYP-B,Round Attraction Magnet,Model B

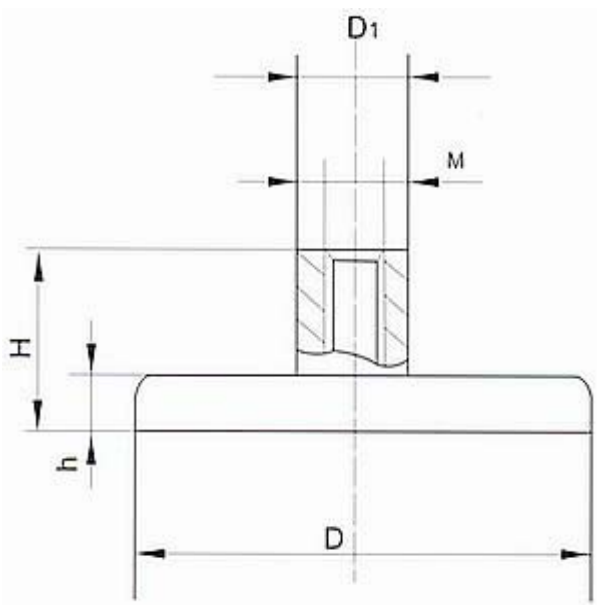


Model	DØ	D1Ø	D2Ø	H	Attraction (Kg)	Deadweight (g)
PMyp-B16	16	3.5	6.5	5	4	6
PMyp-B20	20	4.5	8	7	6	12
PMyp-B25	25	5.5	9	8	14	23
PMyp-B32	32	5.5	9	8	23	36
PMyp-B42	42	6.5	11	9	32	73
PMyp-B48	48	8.5	15	11.5	63	114
PMyp-B60	60	8.5	15	15	95	240
PMyp-B75	75	10.5	18	18	155	471

PMYP-C,Round Attraction Magnet,Model C

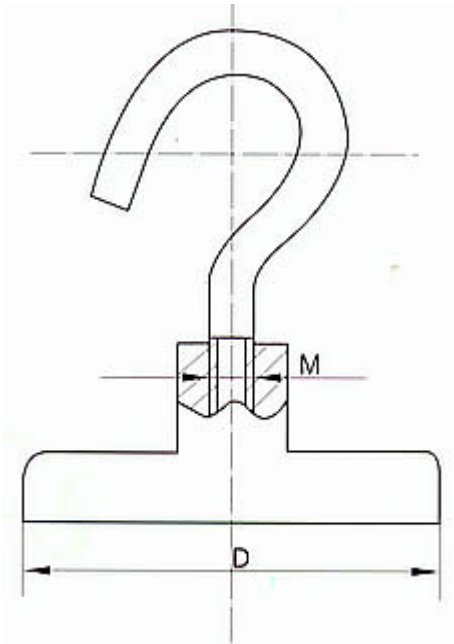


Model	DØ	D1Ø	D2Ø	H	Attraction (Kg)	Deadweight (g)
PMyp-C10	10	3	12	5	2.2	3.5
PMyp-C12	12	3	13	5	3.2	5
PMyp-C16	16	4	13	5	5.5	7.5
PMyp-C20	20	4	15	7	9	16
PMyp-C25	25	5	17	8	22	30
PMyp-C32	32	6	18	8	34	45
PMyp-C36	36	8	18	8	41	57
PMyp-C42	42	8	20	9	68	84
PMyp-C48	48	8	24	11.5	81	130
PMyp-C60	60	10	30	15	113	254



Model	DØ	D1	M	H	h	Attraction (Kg)	Deadweight (g)
PMyp-D10	10	5.5	3	12	5		
PMyp-D12	12	6	3	13	5		
PMyp-D16	16	6	4	13	5	5.5	8
PMyp-D20	20	8	4	15	7	9	17
PMyp-D25	25	10	5	17	8	22	32
PMyp-D32	32	10	6	18	8	34	47
PMyp-D36	36	10	8	18	8	41	59
PMyp-D42	42	12	8	20	9	68	87
PMyp-D48	48	12	8	24	11.5	81	132
PMyp-D60	60	14	10	30	15	113	259

PMYP-E,Round Attraction Magnet,Model E



Model	D	M	Attraction (Kg)	Deadweight (g)
PMyp-E16	16	4	5.5	11
PMyp-E20	20	4	9	21
PMyp-E25	25	4	22	37
PMyp-E32	32	4	34	56
PMyp-E36	36	4	41	68
PMyp-E42	42	4	68	97
PMyp-E48	48	5	81	154
PMyp-E60	60	5	113	282
PMyp-E75	75	6	164	560