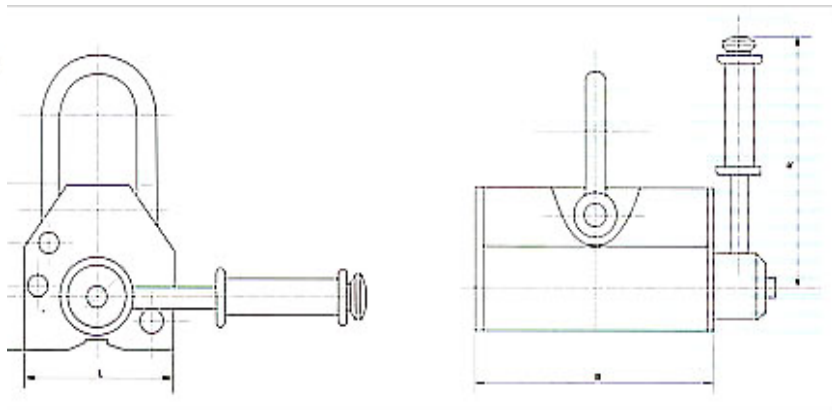


Magnetic Lifter...



Model	Rated lifting strength (kgf)	Cylindrical lifting strength (kgf)	Maxpull-off strength (kgf)	W	L	H	R	Operation temperature (°C)	Dead weight (Kg)
PML-300	300	150	1050	80	180	80	168	<80	9
PML-600	600	300	2100	107	198	103	198	<80	20
PML-1000	1000	500	3500	129	262	130	262	<80	40
PML-2000	2000	1000	7000	170	370	170	370	<80	85
PML-3000	3000	1500	10500	234	470	190	480	<80	180
PML-4000	4000	2000	14000	255	615	204	600	<80	280
PML-6000	6000	3000	21000	266	650	232	600	<80	420

★ Principles: Model PML Permanent Magnet Lifter has strong magnetic path produced by Nd-Fe-B magnetic materials. On and Off of the magnetic path is controlled by turning the manual handle. PML permanent magnetic lifters have magnet as power, and its lifting power will never weaken.

★ Application: In loading and unloading, the lifter can hoist iron/steel blocks, cylinders and others onto magnetic materials for linkage of connection. It is very convenient for application in loading, unloading, and moving. UNI permanent magnetic lifters are the most ideal lifting facility for factories, docks, warehouses and transportation.

★ Features: Lightly and ingeniously structured, easy for application, strong magnetic attraction power and safe in handling.