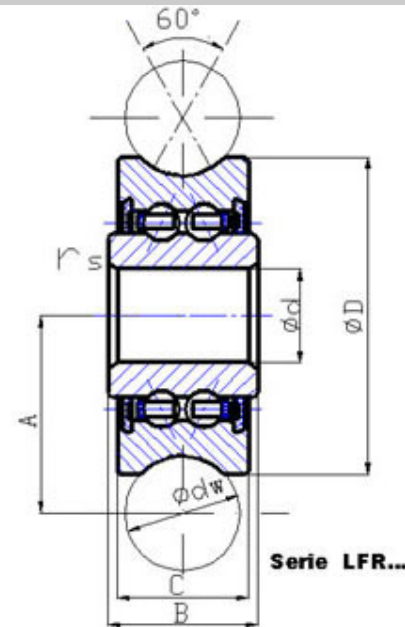


Track rollers with Gothic arch groove--type LFR



* Can be relubricated through a hole on the inner ring.

Track Roller No.			Weight	Dimensions (mm)							Load Ratings		
Yi-Tong	GERMAN	ITALIAN	(g)	dw	d	D	C	B	A	rs	Cw(KN)	Cow(KN)	Fr perm(KN)
LFR 50/4 NPP	-	-	3.5	5	4	13	6	7	8.04	0.2	1.05	0.85	1.15
LFR 50/5-4 KDD	LFR50/5KDD-4	R 50/5-4 ZZ	7.5	4	5	16	7	8	9	0.2	1.2	0.86	1.3
LFR 50/5-4 NPP	LFR50/5NPP-4	R 50/5-4 2RS	7.5	4	5	16	7	8	9	0.2	1.2	0.86	1.3
LFR 50/5 KDD	LFR50/5KDD	R 50/5-6 ZZ	8	6	5	17	7	8	10.5	0.2	1.27	0.82	1.3
LFR 50/5 NPP	LFR50/5NPP	R 50/5-6 2RS	8	6	5	17	7	8	10.5	0.2	1.27	0.82	1.3
LFR 50/8 KDD	LFR50/8KDD	R 50/8-6 ZZ	24	6	8	24	11	11	14	0.3	3.67	2.28	1.3
LFR 50/8 NPP	LFR50/8NPP	R 50/8-6 2RS	24	6	8	24	11	11	14	0.3	3.67	2.28	1.3
LFR 50/8-8 KDD			24	8	8	24	11	11	14.75	0.3	3.67	2.28	1.3
LFR 50/8-8 NPP			24	8	8	24	11	11	14.75	0.3	3.67	2.28	1.3
LFR 30/8 KDD			31	10	8	26.8	11	13	16.7	0.3	3.67	2.28	1.3
LFR 30/8 NPP			31	10	8	26.8	11	13	16.7	0.3	3.67	2.28	1.3
LFR 5201 KDD	LFR5201KDD	R 5201-10 ZZ	68	10	12	35	15.9	15.9	20.65	0.3	8.5	5.1	5.1
LFR 5201 NPP	LFR5201NPP	R 5201-10 2RS	68	10	12	35	15.9	15.9	20.65	0.3	8.5	5.1	5.1
LFR 5301 KDD	LFR5301KDD	R 5301-10 ZZ	130	10	12	42	19	19	24	0.6	13	7.7	7.5
LFR 5301 NPP	LFR5301NPP	R 5301-10 2RS	130	10	12	42	19	19	24	0.6	13	7.7	7.5
LFR 5301-20 KDD			125	20	12	42	19	19	28	0.6	13	7.7	7.5
LFR 5301-20 NPP			125	20	12	42	19	19	28	0.6	13	7.7	7.5
LFR 5302 KDD	LFR5302KDD	R 5302-10 ZZ	163	10	15	47	19	19	26.65	1	16.2	9.2	6.2

LFR 5302 NPP	LFR5302NPP	R 5302-10 2RS	163	10	15	47	19	19	26.65	1	16.2	9.2	6.2
LFR 5201-12 KDD	LFR5201-12KDD	R 5201-12 ZZ	68	12	12	35	15.9	15.9	21.75	0.3	8.4	5	5.1
LFR 5201-12 NPP	LFR5201-12NPP	R 5201-12 2RS	68	12	12	35	15.9	15.9	21.75	0.3	8.4	5	5.1
LFR 5201-14 KDD	LFR5201-14KDD	R 5201-14 ZZ	107	14	12	39.9	18	20	24	0.3	8.9	5	6.7
LFR 5201-14 NPP	LFR5201-14NPP	R 5201-14 2RS	107	14	12	39.9	18	20	24	0.3	8.9	5	6.7
LFR 5201-10.14 KDD			115	10	12	39.9	18	20	24	0.3	8.9	5	6.7
LFR 5201-10.14 NPP			115	10	12	39.9	18	20	24	0.3	8.9	5	6.7
LFR 5204-16 KDD*	LFR5204-16KDD	R 5204-16 ZZ	195	16	20	52	20.6	22.6	31.5	0.6	16.8	9.5	12.1
LFR 5204-16 NPP*	LFR5204-16NPP	R 5204-16 2RS	195	16	20	52	20.6	22.6	31.5	0.6	16.8	9.5	12.1
LFR 5206-20 KDD*	LFR5206-20KDD	R 5206-20 ZZ	435	20	25	72	23.8	25.8	41	0.6	29.5	16.6	20.7
LFR 5206-20 NPP*	LFR5206-20NPP	R 5206-20 2RS	435	20	25	72	23.8	25.8	41	0.6	29.5	16.6	20.7
LFR 5206-25 KDD*	LFR5206-25KDD	R 5206-25 ZZ	425	25	25	72	23.8	25.8	43.5	0.6	29.2	16.4	23.1
LFR 5206-25 NPP*	LFR5206-25NPP	R 5206-25 2RS	425	25	25	72	23.8	25.8	43.5	0.6	29.2	16.4	23.1
LFR 5207-30 KDD*	LFR5207-30KDD	R 5207-30 ZZ	660	30	30	80	27	29	51	1	38	20.8	21.4
LFR 5207-30 NPP*	LFR5207-30NPP	R 5207-30 2RS	660	30	30	80	27	29	51	1	38	20.8	21.4
LFR 5208-40 KDD*	LFR5208-40KDD	R 5208-40 ZZ	1360	40	40	98	36	38	62.5	1	54.8	29	55
LFR 5208-40 NPP*	LFR5208-40NPP	R 5208-40 2RS	1360	40	40	98	36	38	62.5	1	54.8	29	55
LFR 5308-50 KDD*	LFR5308-50KDD	R 5308-50 ZZ	1400	50	40	110	44	46	72.5	1.1	53	39.5	69
LFR 5308-50 NPP*	LFR5308-50NPP	R 5308-50 2RS	1400	50	40	110	44	46	72.5	1.1	53	39.5	69