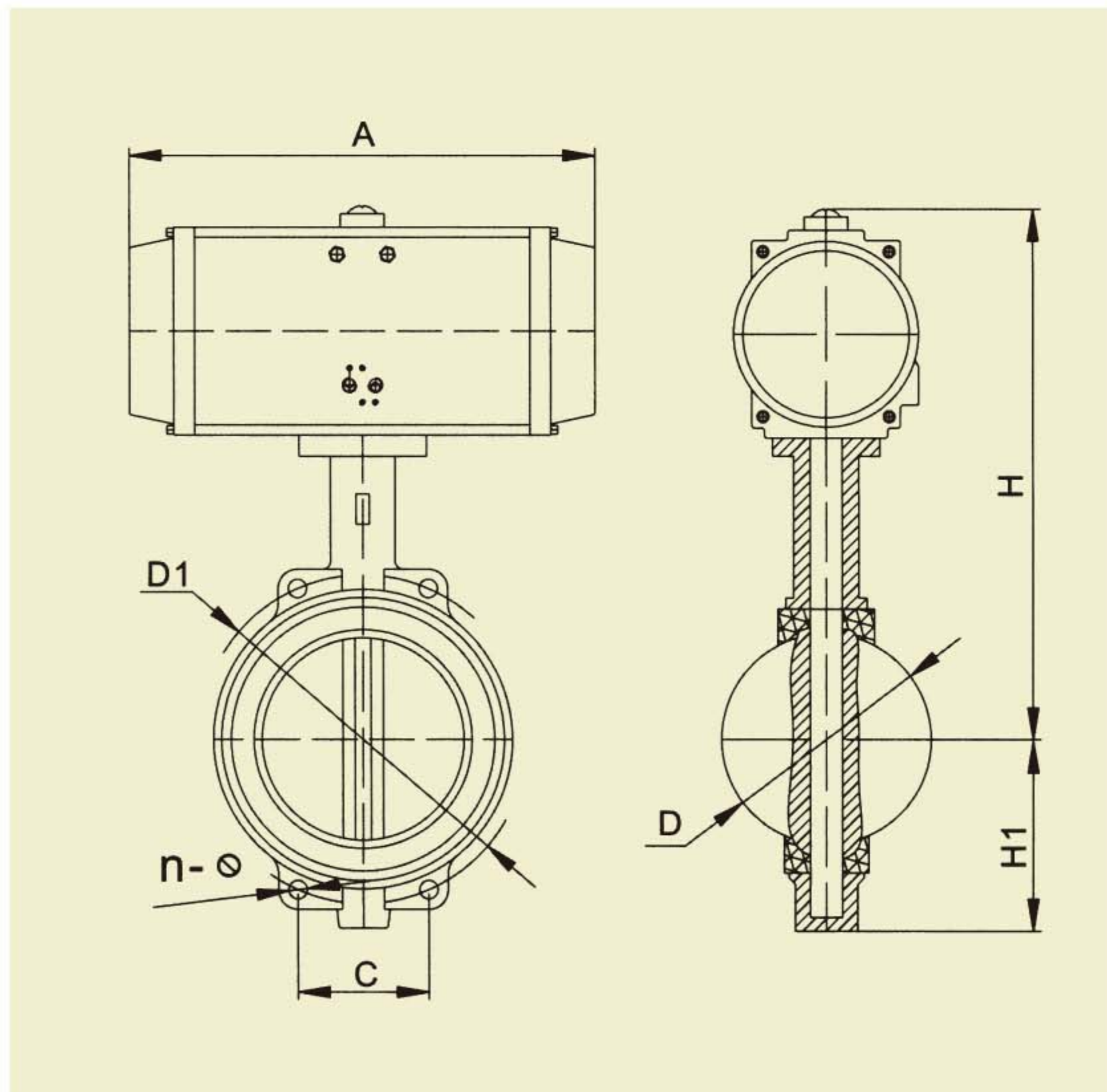


# 气动对夹式软密封蝶阀 Pneumatic Butterfly Valve



规格 Specification		D	D1	H	H1	A	C	n-d	执行器
(mm)	(Inch)								
50	2	52.9	120	274	80	173	42	4-23	RAT063DA
65	2.5	64.5	136.2	300	89	190	44.7	4-26.5	RAT075DA
80	3	78.8	160	315	95	196.5	45.2	8-18	RAT083DA
100	4	104	185	345	114	241	52.1	4-24.5	RAT092DA
125	5	123.3	215	371	127	263.5	54.4	4-23	RAT105DA
150	6	155.6	238	407	139	319	55.8	4-25	RAT125DA
200	8	202.5	295	441	175	319	60.8	$\frac{4-25}{4-23}$	RAT125DA
250	10	250.5	357	490	203	390	65.6	4-29	RAT140DA
300	12	301.6	407	560	242	449	76.9	4-29	RAT160DA
350	14	333.3	467	591	267	449	76.5	4-30	RAT160DA
400	16	389.6	$\frac{515}{525}$	656	309	515	86.5	$\frac{4-26}{4-30}$	RAT190DA
450	18	440.51	$\frac{565}{585}$	703	328	560	105.6	$\frac{4-26}{4-30}$	RAT210DA
500	20	491.5	$\frac{620}{650}$	786	361	654	131.8	$\frac{4-26}{4-33}$	RAT240DA
600	24	592.5	$\frac{725}{770}$	908	459	725	152	$\frac{20-30}{20-33}$	RAT270DA
700	28	695	840	970	520	725	163	$\frac{24-30}{20-36}$	RAT270DA
800	32	794.7	950	1046	591	742	188	$\frac{24-33}{24-39}$	RAT300DA
900	36	864.7	1050	1148	656	860	203	24-33	RAT350DA
1000	40	965	1160	1310	721	918	213	24-36	RAT400DA