

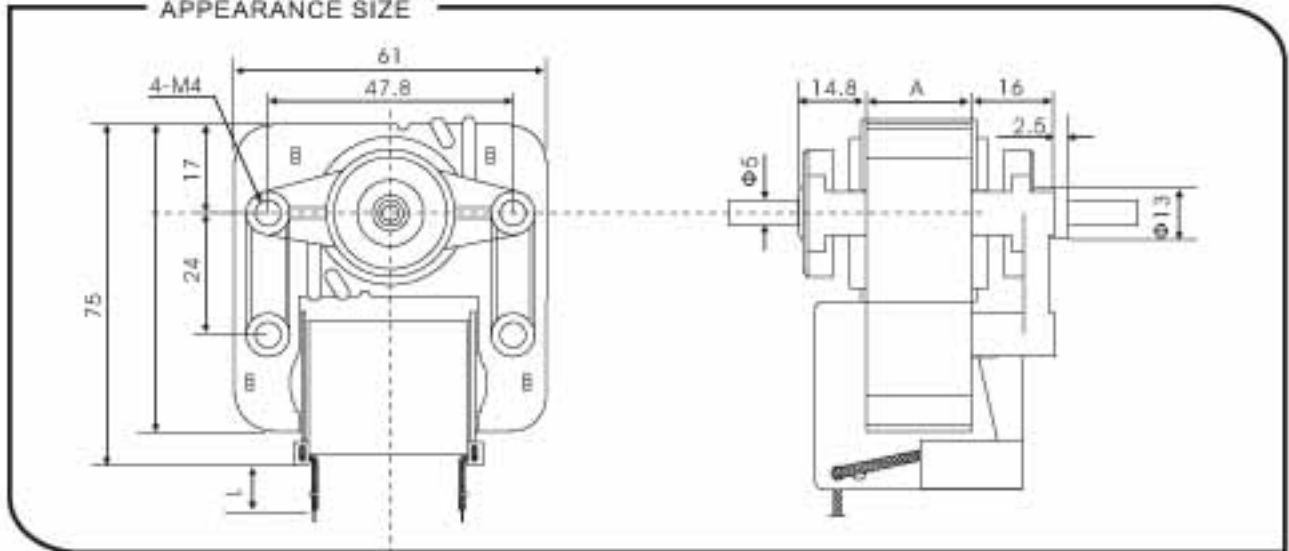


YJ61 SINGLE PHASE SHADE POLE MOTOR

SGMADA®

1. Single phase shade pole motor is safe and reliable, low noise. Characteristics: hard starting, long life, etc.
2. Motors have UL TUV certification.
3. Motor direction, size "A", wire length "L" can be made as Customers' request.
4. Apply for different type of gearboxes: VF(69.9X76.2), TT(60X95), GF (69.9X119.1), MF(70X70), QF(73.2X95.8), ZF(63.5X90.2), RF(63.5X90.2), KF(63.5X68.3), VFO(69.9X76.2) gearbox.

APPEARANCE SIZE



MOTOR SPECIFICATIONS

MOTOR MODEL	Size(A) mm	Rated Volt. V	At maximum efficiency				
			Freq.	Current	Speed	Torque	Input
			Hz	A	r/min	g·cm	Power(W)
YJ61-10/1	10.5	220~240	50	0.16	2200	70	17.5
YJ61-10/2	10.5	100~120	60	0.18	2700	60	16
YJ61-12/1	12	220~240	50	0.16	2400	80	17
YJ61-12/2	12	100~120	60	0.20	2600	80	18
YJ61-14/1	14.5	220~240	50	0.18	2400	100	19
YJ61-14/2	14.5	100~120	60	0.20	2600	100	20
YJ61-16/1	16.5	220~240	50	0.25	2450	140	26
YJ61-16/2	16.5	100~120	60	0.28	2600	140	27
YJ61-20/1	20.5	220~240	50	0.30	2450	180	30
YJ61-20/2	20.5	100~120	60	0.38	2700	180	32
YJ61-25/1	25.5	220~240	50	0.33	2400	220	35
YJ61-25/2	25.5	100~120	60	0.41	2600	220	42
YJ61-30/1	30.5	220~240	50	0.45	2400	280	45
YJ61-30/2	30.5	100~120	60	0.52	2600	280	46
YJ61-35/1	35.5	220~240	50	0.65	2500	350	53
YJ61-35/2	35.5	100~120	60	0.90	2800	350	58
YJ61-40/1	40	220~240	50	0.83	2500	400	62
YJ61-40/2	40	100~120	60	1.20	2800	400	75