

## TT-YJ61 Series SHADE POLE MOTOR

**SGMADA®**

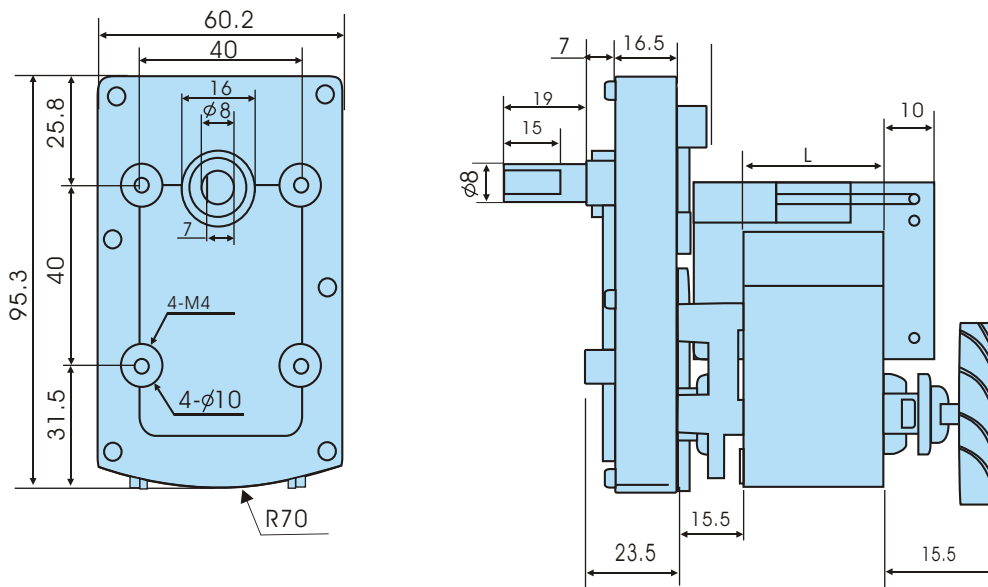
AC GEARED MOTOR

OUTPUT POWER: 1.0~10W(APPROX)

WEIGHT: 500~600g(APPROX)

**Typical applications:** Pan/Tilt Camera, auto shutter, welding machines, water meter IC card, grill, oven, cleaning machine, garbage disposers, household appliances, slot machines, money detector, automatic actuator.

### APPEARANCE SIZE



### GEARED MOTOR TORQUE/SPEED

Reduction ratio	$\frac{1}{37}$	$\frac{1}{67}$	$\frac{1}{95}$	$\frac{1}{139}$	$\frac{1}{151}$	$\frac{1}{196}$	$\frac{1}{219}$	$\frac{1}{277}$	$\frac{1}{400}$	$\frac{1}{624}$	$\frac{1}{825}$	$\frac{1}{1166}$
Number of gear trans	3			4					5			
Rated speed (rpm) at 60Hz	73	40	28.4	19.4	17.4	13.8	12.3	9.8	6.8	4.3	3.3	2.3
TT-YJ61-10 L=10.5 (Kgf·cm) Rated torque	1.62	2.93	4.16	5.50	6.14	7.76	8.67	11.0	14.2	22.1	29.2	41.3
TT-YJ61-12 L=12 (Kgf·cm) Rated torque	2.16	3.91	5.55	7.34	8.18	10.3	11.6	14.6	18.9	29.4	38.9	55.0
TT-YJ61-14 L=14.5 (Kgf·cm) Rated torque	2.70	4.89	6.94	9.17	10.2	12.9	14.5	18.3	23.6	36.8	48.7	68.8
TT-YJ61-16 L=16.5 (Kgf·cm) Rated torque	3.78	6.85	9.71	12.8	14.3	18.1	20.2	25.6	33.0	51.5	68.1	80.0
TT-YJ61-20 L=20.5 (Kgf·cm) Rated torque	4.86	8.80	12.5	16.5	18.4	23.3	26.0	32.9	42.5	66.2	80.0	80.0
TT-YJ61-25 L=25.5 (Kgf·cm) Rated torque	5.94	10.8	15.3	20.2	22.5	28.5	31.8	40.2	51.9	80.0	80.0	80.0
TT-YJ61-30 L=30.5 (Kgf·cm) Rated torque	7.56	13.7	19.4	25.7	28.6	36.2	40.5	51.2	66.1	80.0	80.0	80.0
TT-YJ61-35 L=35.5 (Kgf·cm) Rated torque	9.45	17.1	24.3	32.1	35.8	45.3	50.6	64.0	80.0	80.0	80.0	80.0
TT-YJ61-40 L=40 (Kgf·cm) Rated torque	10.8	19.6	27.7	36.7	40.9	51.7	57.8	73.1	80.0	80.0	80.0	80.0
Note	Voltage can make as customers' request											
Packing Details	CTN size: 55X35XH18CM 24pcs/CTN N.W. 16Kgs											