

PG-36555 Planetary Series

SGMADA®

(12VDC STANDARD)

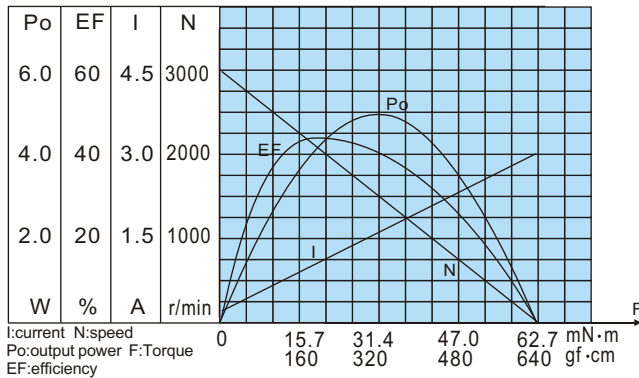
DC GEARED MOTOR

OUTPUT POWER: 3.2W(APPROX)

WEIGHT: 180~210g(APPROX)

Typical applications: Automat, electrical controlled valve, robot, door locks, token, optical equipment, cordless power tool, ticket selling machines, automatic energy saving bath, monitoring cameras, lighting.

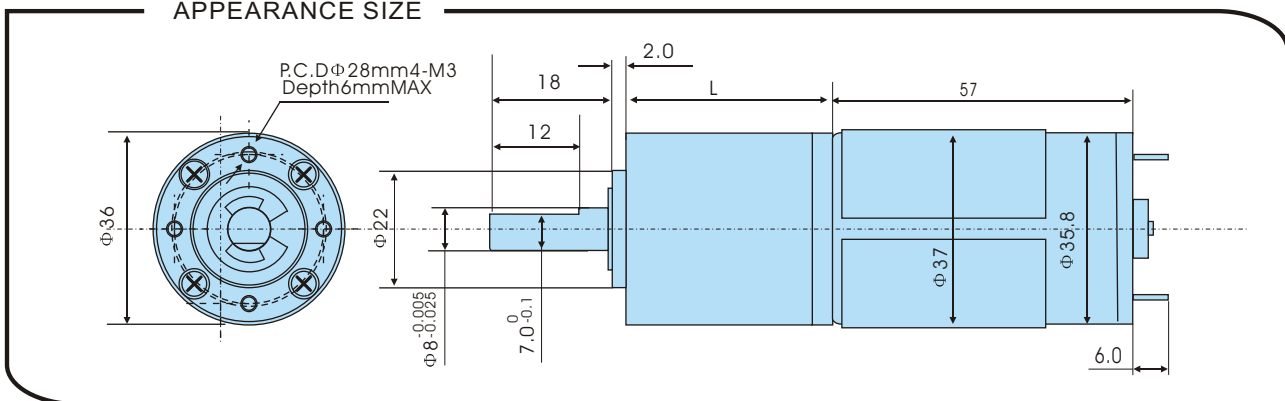
MOTOR CHARACTERISTICS



MOTOR TORQUE/SPEED/CURRENT

| | |
|-----------------|-------------------|
| Rated voltage | 12VDC |
| No load speed | 3000r/min |
| No load current | 140mA |
| Rated torque | 190gf·cm 15.7mN·m |
| Rated current | 800mA |
| Rated speed | 2200r/min |
| Stall torque | 640gf·cm 62.7mN·m |
| Stall current | 3000mA |

APPEARANCE SIZE



GEARED MOTOR TORQUE/SPEED/CURRENT

| Geared motor name | Rated Volt. V | No Load | | Load torque | | | | At maximum efficiency | | Output power W | Number of gear trains | Gearbox length "L" mm |
|----------------------|---|------------|-------------|-------------|-------------|--------|------|-----------------------|------|----------------|-----------------------|-----------------------|
| | | Current mA | Speed r/min | Current mA | Speed r/min | Torque | | Kg·cm | N·m | | | |
| | | | | | | Kg·cm | N·m | | | | | |
| PG-36555123000-3.7K | 12 | ≤140 | 810 | ≤800 | 594 | 0.53 | 0.05 | 1.6 | 0.16 | 3.2 | 1 | 26.5 |
| PG-36555123000-5.2K | 12 | ≤140 | 577 | ≤800 | 423 | 0.67 | 0.07 | 2.0 | 0.20 | 2.9 | 2 | 32.5 |
| PG-36555123000-13.7K | 12 | ≤140 | 219 | ≤800 | 160 | 1.78 | 0.17 | 5.0 | 0.49 | 2.9 | 2 | 32.5 |
| PG-36555123000-26.9K | 12 | ≤140 | 111 | ≤800 | 82 | 3.14 | 0.31 | 9.0 | 0.88 | 2.6 | 3 | 38.5 |
| PG-36555123000-51K | 12 | ≤140 | 58.8 | ≤800 | 43 | 5.96 | 0.58 | 18 | 1.76 | 2.6 | 3 | 38.5 |
| PG-36555123000-100K | 12 | ≤140 | 30.0 | ≤800 | 22 | 11.7 | 1.15 | 35 | 3.43 | 2.6 | 3 | 38.5 |
| PG-36555123000-188K | 12 | ≤140 | 16.0 | ≤800 | 11.7 | 19.9 | 1.95 | 60 | 5.88 | 2.3 | 4 | 44.5 |
| PG-36555123000-369K | 12 | ≤140 | 8.1 | ≤760 | 6.4 | 30 | 2.94 | 90 | 8.82 | 1.9 | 4 | 44.5 |
| PG-36555123000-721K | 12 | ≤140 | 4.2 | ≤465 | 3.7 | 30 | 2.94 | 90 | 8.82 | 1.1 | 4 | 44.5 |
| PG-36555123000-977K | 12 | ≤140 | 3.1 | ≤390 | 2.8 | 30 | 2.94 | 90 | 8.82 | 0.9 | 5 | 50.5 |
| PG-36555123000-1910K | 12 | ≤140 | 1.6 | ≤230 | 1.5 | 30 | 2.94 | 90 | 8.82 | 0.5 | 5 | 50.5 |
| PG-36555123000-3736K | 12 | ≤140 | 0.8 | ≤190 | 0.7 | 30 | 2.94 | 90 | 8.82 | 0.2 | 5 | 50.5 |
| Other Ratio | 1:19.2, 1:71, 1:139, 1:264, 1:516, 1:699, 1:1367, 1:2671. | | | | | | | | | | | |
| Note | Voltage can make as customers' request | | | | | | | | | | | |
| Packing Details | CTN size: 28X26XH22.5CM 40PCS/CTN N.W.14Kgs | | | | | | | | | | | |