

# 60JB52123600 Series

**SGMADA®**

(12VDC STANDARD)

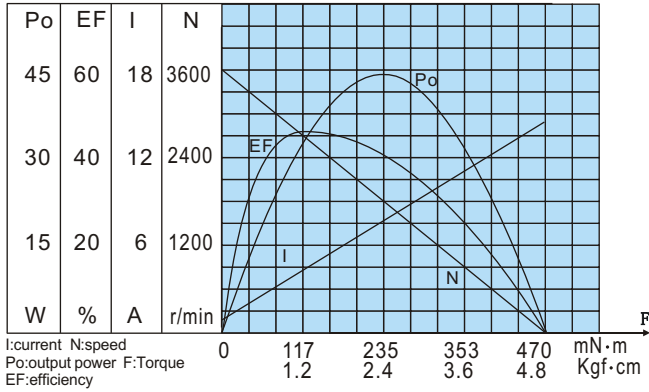
DC GEARED MOTOR

OUTPUT POWER: 27W(APPROX)

WEIGHT: 1000~1200g(APPROX)

**Typical applications:** Massage Equipment, welding feed, andiron, washing machine, aeromodelling, fiber optic fusion splicers, OA equipment, amusement equipment, ATM bank automated system.

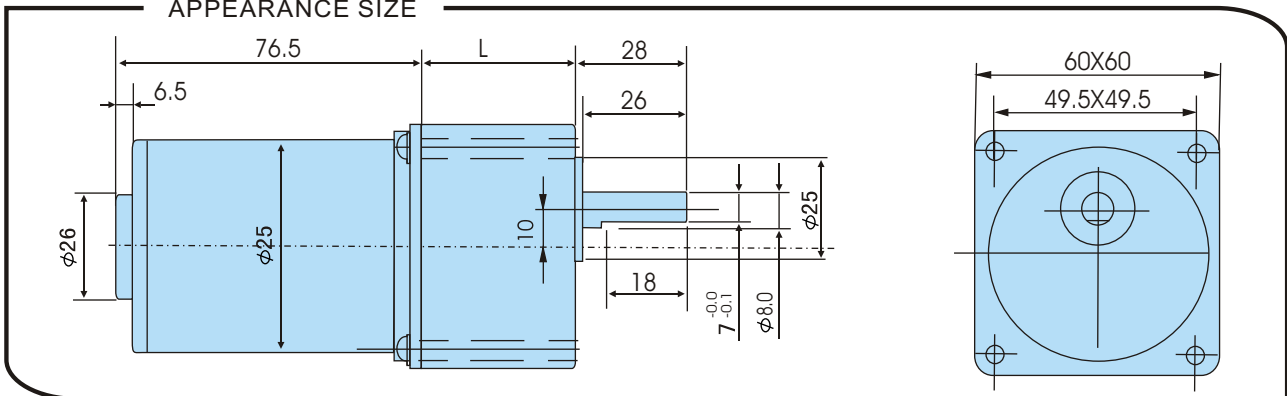
## MOTOR CHARACTERISTICS



## MOTOR TORQUE/SPEED/CURRENT

|                 |                       |
|-----------------|-----------------------|
| Rated voltage   | 12VDC                 |
| No load speed   | 3600r/min             |
| No load current | 700mA                 |
| Rated torque    | 1200gf · cm 118mN · m |
| Rated current   | 4.0A                  |
| Rated speed     | 2700r/min             |
| Stall torque    | 4800gf · cm 470mN · m |
| Stall current   | 12.0A                 |

## APPEARANCE SIZE



## GEARED MOTOR TORQUE/SPEED/CURRENT

| Geared motor name | Rated Volt. V   | No Load    |             | Load torque |             |                  |      | At maximum efficiency |       | Output power W | Number of gear trains | Gearbox length "L" mm |
|-------------------|---|------------|-------------|-------------|-------------|------------------|------|-----------------------|-------|----------------|-----------------------|-----------------------|
|                   |   | Current mA | Speed r/min | Current A   | Speed r/min | Torque Kg·cm N·m |      | Kg·cm                 | N·m   |                |                       |                       |
| 60JB52123600-3.2K | 12  | ≤700       | 1125        | ≤4.0        | 845         | 3.2              | 0.31 | 10                    | 0.98  | 27             | 2                     | 28.5                  |
| 60JB52123600-7.2K | 12  | ≤700       | 500         | ≤4.0        | 375         | 7.2              | 0.71 | 22                    | 2.16  | 27             | 2                     | 28.5                  |
| 60JB52123600-10K  | 12  | ≤700       | 360         | ≤4.0        | 270         | 10               | 0.98 | 30                    | 2.94  | 27             | 2                     | 28.5                  |
| 60JB52123600-20K  | 12  | ≤700       | 180         | ≤4.0        | 135         | 20               | 1.96 | 60                    | 5.88  | 27             | 2                     | 28.5                  |
| 60JB52123600-30K  | 12  | ≤700       | 120         | ≤4.0        | 90          | 27               | 2.65 | 80                    | 7.84  | 24             | 3                     | 28.5                  |
| 60JB52123600-40K  | 12  | ≤700       | 90          | ≤4.0        | 68          | 35               | 3.43 | 100                   | 9.8   | 24             | 3                     | 28.5                  |
| 60JB52123600-60K  | 12  | ≤700       | 60          | ≤4.0        | 40          | 60               | 5.88 | 180                   | 17.64 | 24             | 3                     | 28.5                  |
| 60JB52123600-90K  | 12  | ≤700       | 40          | ≤3.4        | 32          | 60               | 5.88 | 180                   | 17.64 | 19             | 4                     | 38.5                  |
| 60JB52123600-120K | 12  | ≤700       | 30          | ≤2.7        | 25          | 60               | 5.88 | 180                   | 17.64 | 15             | 4                     | 38.5                  |
| 60JB52123600-180K | 12  | ≤700       | 20          | ≤2.0        | 18          | 60               | 5.88 | 180                   | 17.64 | 11             | 4                     | 38.5                  |
| Other Ratio       | 1:4.8(1040r/min), 1:13.3(376r/min), 1:270(18.5r/min), 1:360(10r/min), 1:510(7r/min) |            |             |             |             |                  |      |                       |       |                |                       |                       |
| Packing Details   | CTN size:28X17.5XH13CM 8PCS/CTN N.W.10Kgs   |            |             |             |             |                  |      |                       |       |                |                       |                       |