

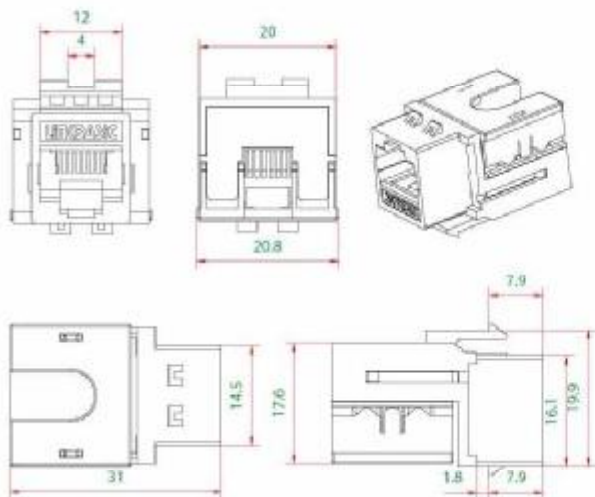


# CAT 5E FTP KEYSTONE JACKS

## KEYSTONE JACKS JKB06-SC5E



### Presentation



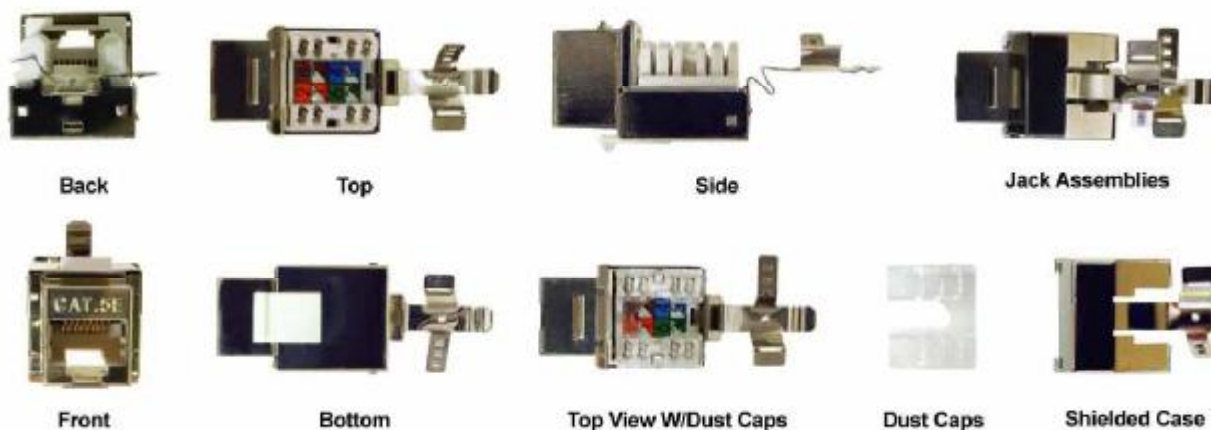
### Products Description

A shielded version is available to maximum protection from EMI/RFI interference by utilizing fully shielded jacks and connecting hardware, you can reduce the effects of interference on the network data transmissions. The compact size provides high-density connectivity in the work area and telecommunications room.

### Features and benefits

- Available in Cat5E, T568A/B wiring schemes, meet or exceed TIA/EIA Cat5E requirement
- Shielding protects against EMI/RFI interference
- Housing : high temperature thermoplastic
- Compact jack design, 8 positions and 8 conductors
- Contact : phosphor bronze , phosphor bronze with 6 to 50  $\mu$  " gold plate
- Accept 22-26 AWG solid with a insulation diameter of 0.4-0.6 mm
- Easy to be terminated, extremely low attenuation loss and high return loss
- High reliability and superior performance
- Available in different colors

### Photo



### Order Information

Part number	Description	Inner box	Carton	Carton measurement	Carton weight
JKB06-SC5E	Cat 5E FTP Keystone Jack	25PCS	250PCS	L 53.5cm × W 31.3cm × H 23.4cm	4.2KG

# CAT 5E FTP KEYSTONE JACKS

KEYSTONE JACKS JKB06-SC5E



The V style IDC contacts flex not fatigue when terminated.

Compliant with Cat5E component and channel requirement of T568A and T568B.

1500 matching recycles.

Termination caps prevent wire from dropping off.

The new design allows high density solutions.

Allow RJ45 plugs to provide high-density solutions.

## Installation instructions



1 Strip back cable jacket using Linkbasic tool (P/N: TLD01) or equivalent.



2 View the color on the module to determine proper location of the conductors based upon preferred wiring scheme.



3 Insert each wire into the appropriate channel according to the color code on the module.



4 Terminate wires using Linkbasic tool (P/N: TLA01) or equivalent.



5 Check and ensure each wire in correct channel, tight cable tie at the end of shielded case.



6 Install dust caps by snapping into place as shown.



7 Lock the shielded cover by hands as shown.



8 Fully shielded jack assemblies.