

Linkbasic information technology create an excellence in the future  
selection and selection  
production of our products



# 50 PAIRS 110 WRING BLOCK

## 110 WIRING BLOCKS WB050-A3W WB050-A3Y



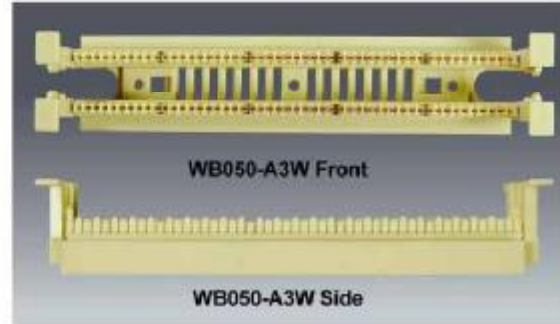
### Products Description

Wall-mount 110 wiring blocks create compact, adaptable 110 termination field for voice and data by mounting 110 wiring bases to the wall or a backboard. Bases come in 50-, 100- or 300-pair densities. The 50-pair bases may be ordered with or without standoff legs which provide more room behind the base for cable.

### Features and benefits

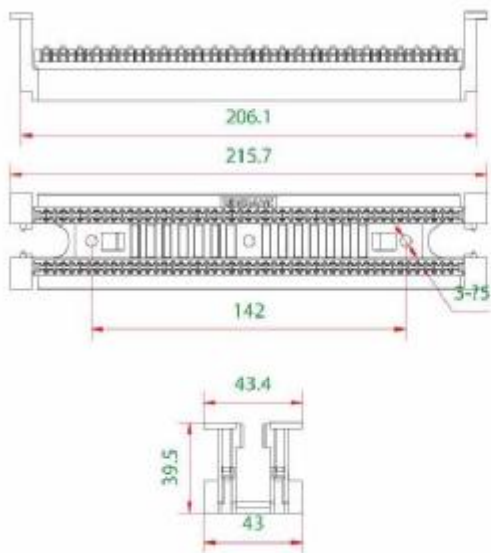
- Type : 50 pairs rack mount 110 wiring block
- Available with legs or without legs to the wiring base
- Easy to adjust , easy to embed wires in
- Wiring blocks are designed to support voice and high-speed data application
- Offering a reliable and economical high -density system
- The terminal blocks accommodate 22-26 AWG with a insulation diameter of 0.4-0.64 mm
- IDC contact material : phosphor bronze with tin plating over nickel
- Available with T568 A .T568 B wiring pattern

### Photo

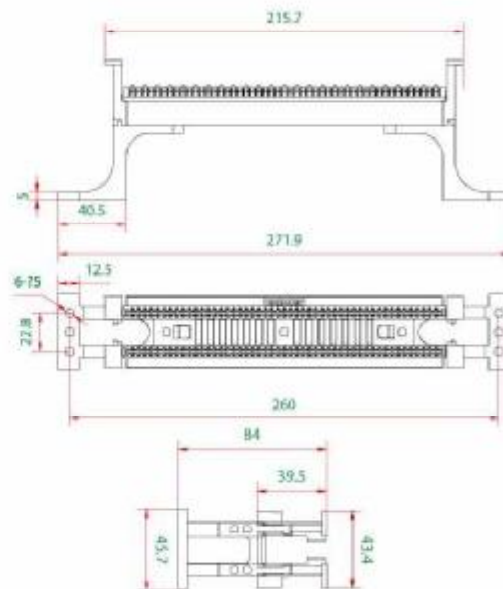


### Presentation

#### WB050-A3W Presentation

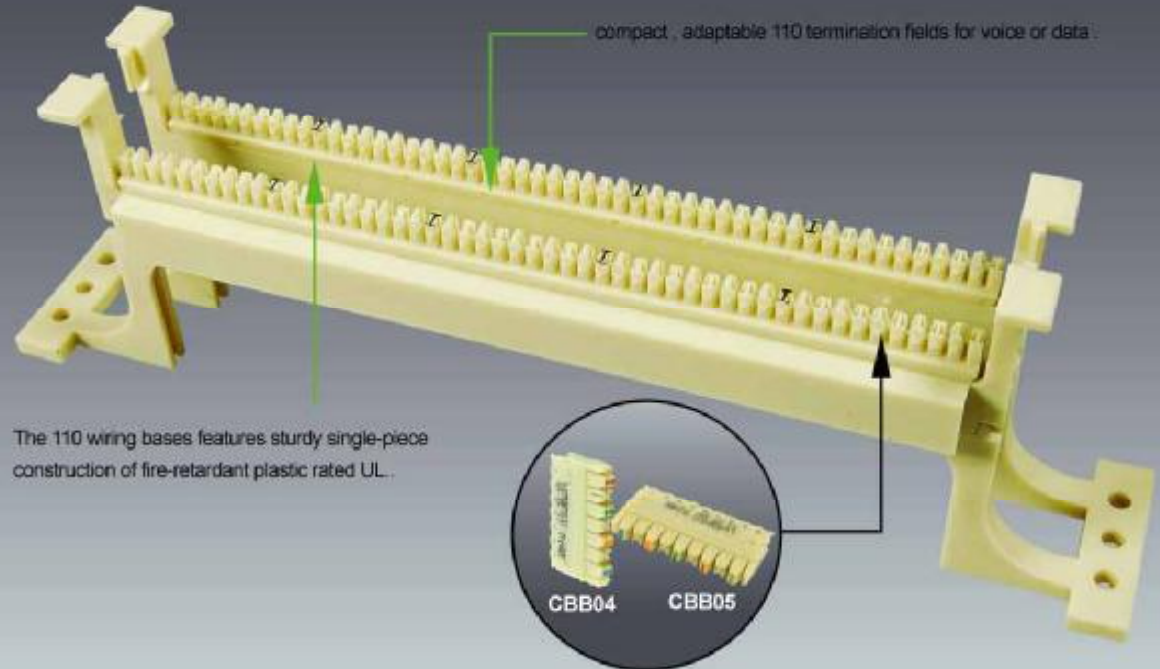


#### WB050-A3Y Presentation

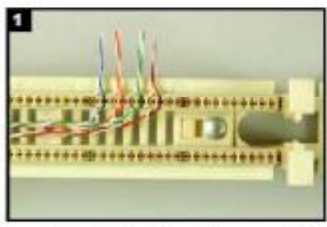


# 50 PAIRS 110 WRING BLOCK

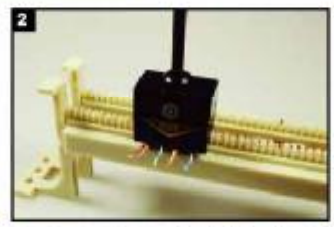
110 WIRING BLOCKS WB050-A3W WB050-A3Y



## Installment instructions



1 Insert each wire into the appropriate channel.



2 Terminate wires using Linkbasic tool (P/N: TLB01) or equivalent.



3 4-pair impact tool seats connecting blocks.



4 Install connecting block in the wiring block tightly.



5 Checking the each wires following the color code on the connecting block's teeth.



6 Insert patch plug into connecting block, and ensure them in tight connection.

## Order Information

Part number	Description	Inner box	Carton	Carton measurement	Carton weight
WB050-A3W	50 pairs 110 Wiring block without legs	2PC	40PCS	L 54cm × W 49cm × H 22cm	8.5KG
WB050-A3Y	50 pairs 110 Wiring block with legs	2PC	40PCS	L 61cm × W 54cm × H 22cm	10.5KG