



JACK FACEPLATE

FACEPLATE JKE13



Products Description

The jack faceplate provide a combination of both Cat5E wiring sand Cat3 options .it offers a sleek and clean appearance and delvers high speed for all your high speed application to the desktop .

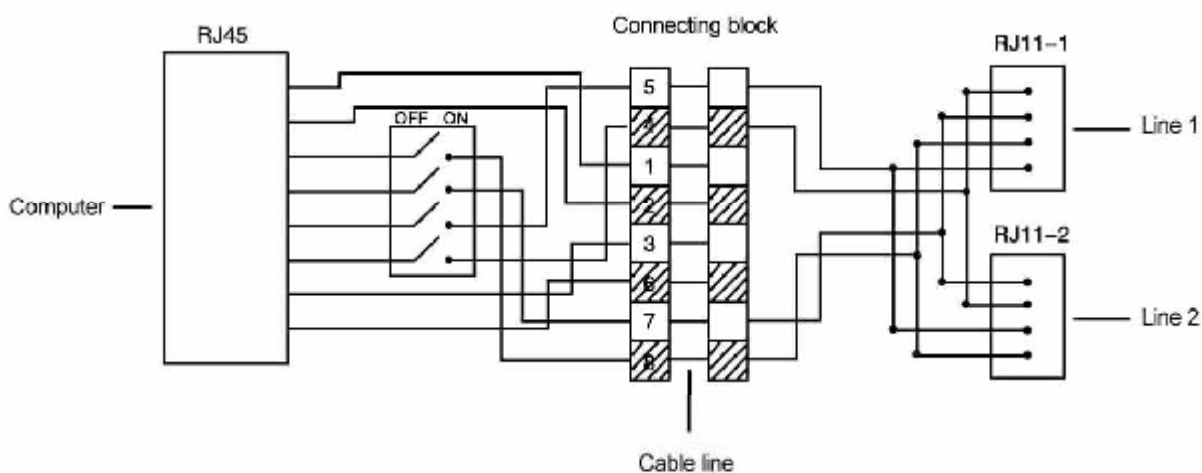
Features and benefits

- Snap in color- coding icons are included, allow users to instantly identify different types of services
- The jacks can be easily snapped out of the front of face-plate, making moves, edds and changes quick and easy
- The cutouts allow jacks to pass through plates enabling mounting of faceplate after cable are terminated

Photo



The circuit board drawing



Order Information

Part number	Description	Inner box	Carton	Carton measurement	Carton weight
JKE13 WALL	Jack faceplate	15PCS	300PCS	L 53.5cm × W 31.3cm × H 23.4cm	10KG

FIBER OPTIC
 SOLUTION PRODUCTS

CABINET & ENCLOSURE

TELECOMMUNICATION
 SERIES

MINI LAN SOHO
 SOLUTION PRODUCTS

TOOLS & TESTERS

INDEX