

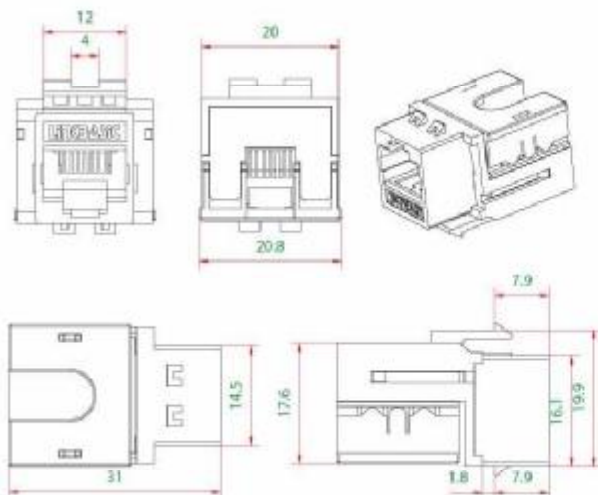


CAT 6 UTP KEYSTONE JACKS

KEYSTONE JACKS JKB06-UC6



Presentation



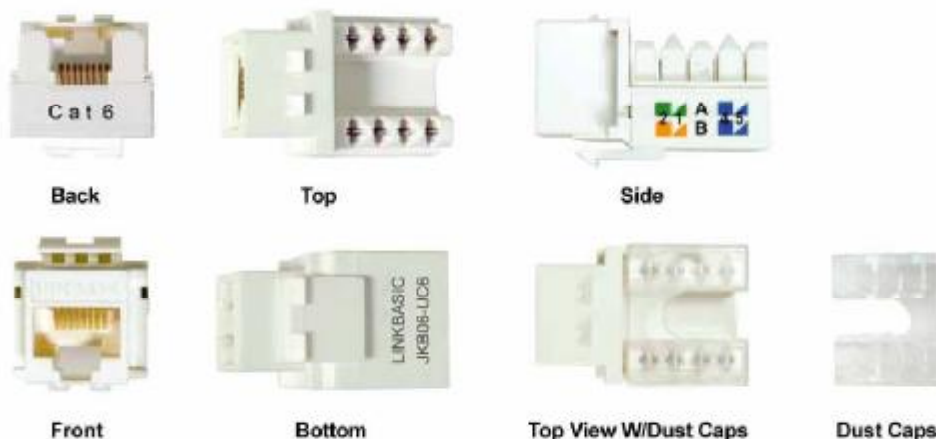
Products Description

Horizontal style Cat6 90 degree keystone jacks, it features dual color-coded wiring label with both T568A/B wiring pattern. Rear termination field for easy termination of a jack while installed in a wall plate, surface mount boxes, and blank patch panels for a wide variety of Applications.

Features and benefits

- Available in Cat6, T568A/B wiring schemes, meet or exceed TIA/EIA Cat6 requirements
- Housing : high temperature thermoplastic
- Compact jack design, 8 positions and 8 conductors
- Contact : phosphor bronze , phosphor bronze with 6 to 50 μ ™ gold plate
- Accept 22-26 AWG solid with a insulation diameter of 0.4-0.6 mm
- Easy to be terminated, extremely low attenuation loss and high return loss
- High reliability and superior performance
- Available in different colors

Photo

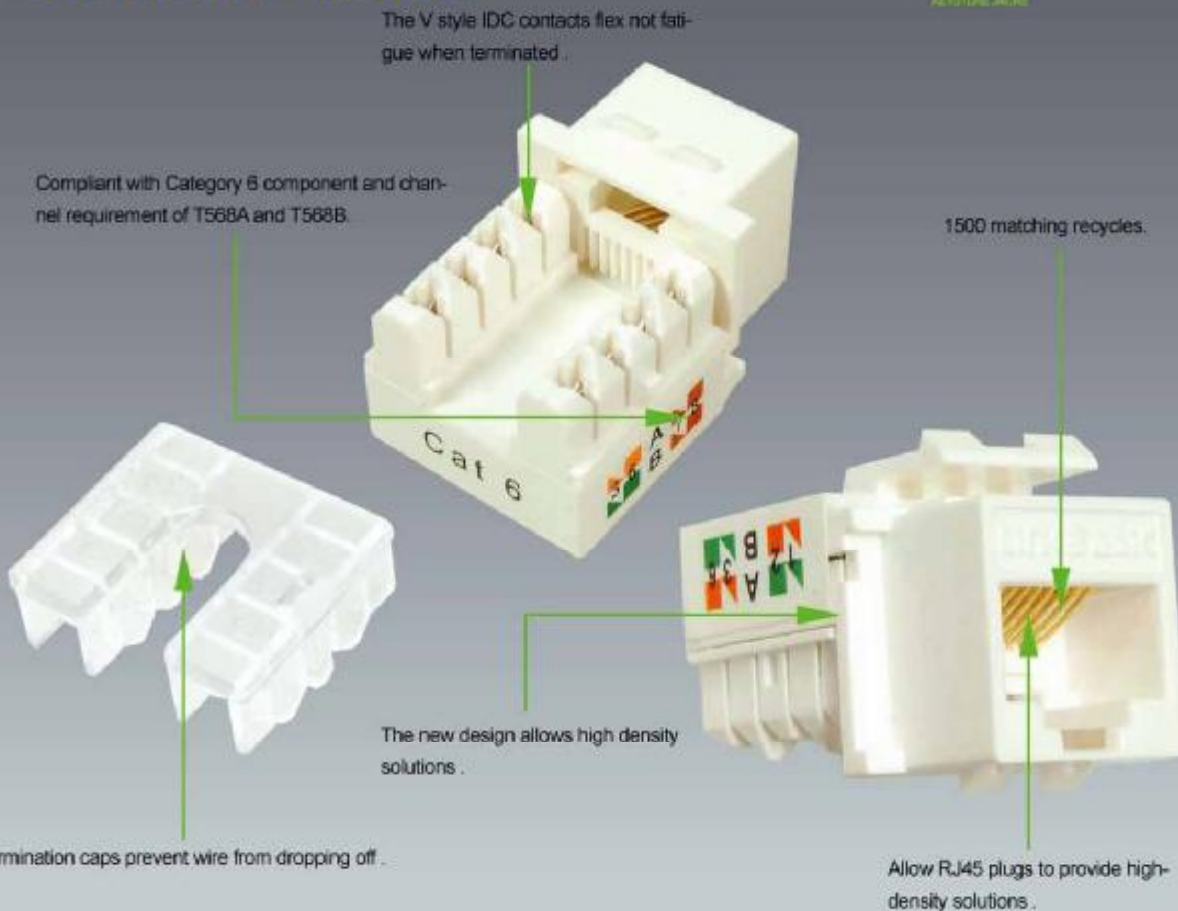
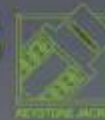


Order Information

Part number	Description	Inner box	Carton	Carton measurement	Carton weight
JKB06-UC6	Cat 6 UTP Keystone Jack	25PCS	250PCS	L 53.5cm × W 31.3cm × H 23.4cm	4KG

CAT 6 UTP KEYSTONE JACKS

KEYSTONE JACKS JKB06-UC6



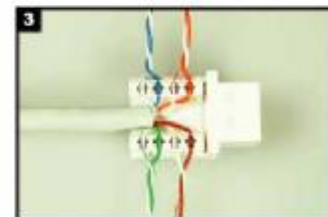
Installation instructions



1 Fan out cables based on desired wiring scheme, cut the pair separator and rip cord (if present) as close as possible to the jacket. Note: Be careful not to nick conductors.



2 View the color on the module to determine proper location of the conductors based upon preferred wiring scheme.



3 Insert each wire into the appropriate channel according to the color code on the modular's both sides.



4 Terminate wires using Linkbasic tool (P/N: TLA01) or equivalent.



5 Install dust caps by snapping into place as shown.