

# GROUND SOCKET

## FACEPLATE FSA09 FSF04



### Photo



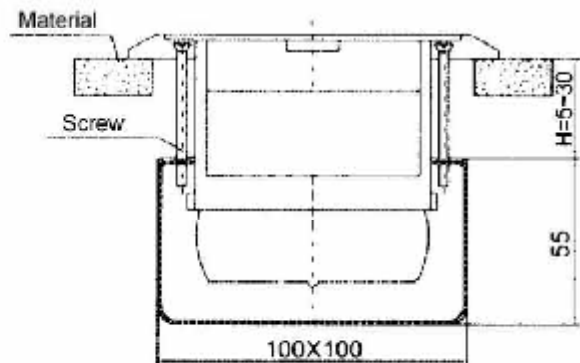
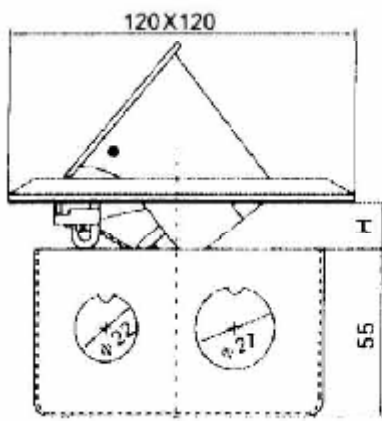
### Products Description

Ground-fault interrupter is an unintentional electrical path between a source of electrical current and a grounded surface. Electrical shock can occur if a person comes into contact with an energized part. GFCIs (ground-fault circuit-interrupters) can greatly reduce the risk of shock by immediately shutting off an electrical circuit when that circuit represents a shock hazard (a person comes in contact with a faulty appliance together with a grounded surface). They are characterized by their adaptability to diversification of architectural specification .

### Features and benefits

- positive protection against electronic shock
- They will operate well because of overheating, and waterproof
- They will operate at their design speed

### Presentation



H>30mm, the corresponding screw should be needed

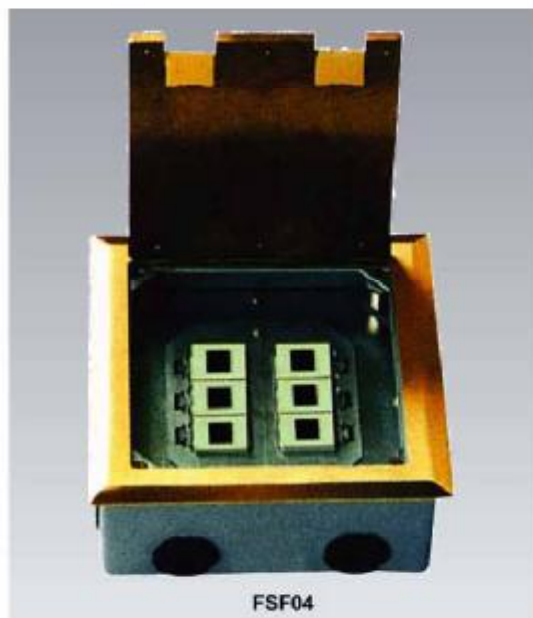


# GROUND SOCKET

FACEPLATE FSA09 FSF04

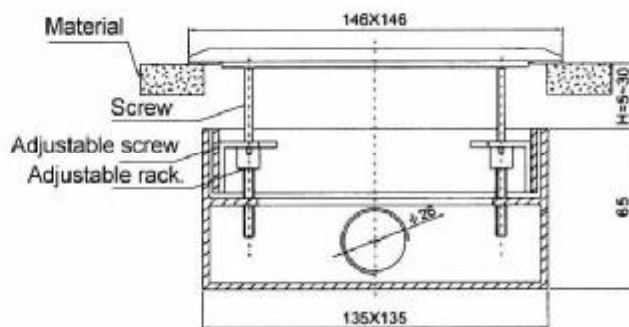


## Photo



FSF04

## Presentation



H>30mm, the corresponding screw should be needed

## Photo



FSPA-09



FSPA-011



FSPA-027

## Order Information

Part number	Description	Inner box	Carton
FSA09	AMP modular board	1PC	20PCS
FSPA-09	Ground Socket	1PC	20PCS
FSPA-011	New Modular Board	1PC	20PCS
FSPA-027	Vacancy socket	1PC	20PCS
FSF04	Ground Socket	1PC	20PCS