

Linkbasic information technology create an excellence in the future

Fashion and selection  
Introduction of our products:



# SURFACE MOUNT BOXES

## FACEPLATE OUZ01 OUZ02



### Photo



### Products Description

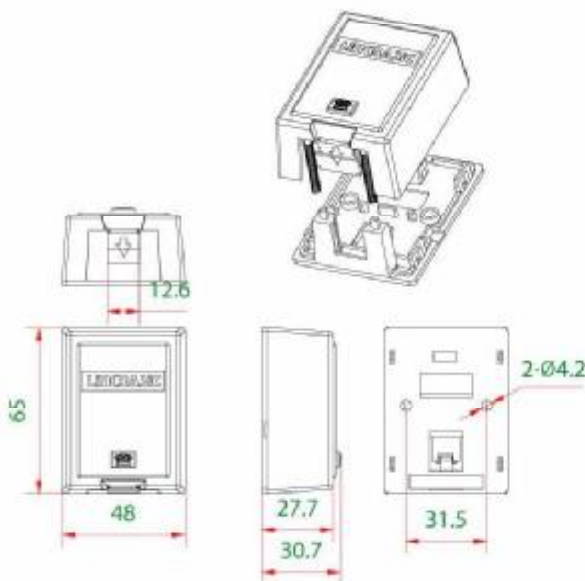
Use this surface mount box like you would use a outlet face plate to cover and connect keystone connectors to the wall and make a nice neat looking wiring for the house or office , they come in a variety of the styles including our 110 style punch down surface mount boxes ,the surface mount boxes features a compact , easy to install design ,Components can be Installed into the base .

### Features and benefits

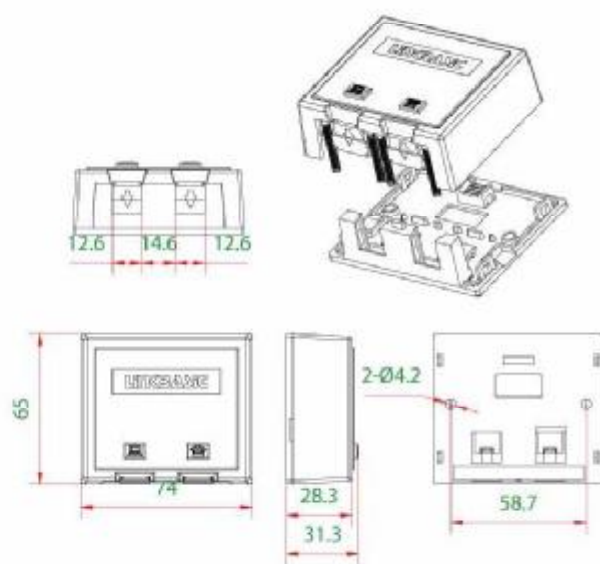
- they meet or exceed EIA/TIA 568A Cat 5e or Cat 6 specifications
- Holds industry standard modular keystone inserts
- High-Impact Housing.
- Fully tested.
- Available in one or two port .

### Presentation

#### OUZ01 Presentation



#### OUZ02 Presentation



# SURFACE MOUNT BOXES

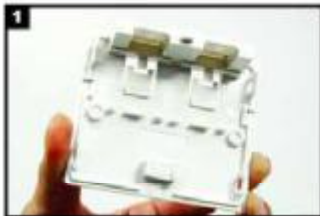
FACEPLATE OUZ01 OUZ02



snap-on cover with designation areas for color coded icons /tabs and white-on labels.

Bezels are included , allow flat jacks to be snapped in place .

## Installment instructions



The back of the faceplate.



Carefully seat the jacks over the back of the faceplate.



Align the jack to the slot .



Snap the plug in place.

## Order Information

| Part number | Description                | Carton | Carton measurement             | Carton weight |
|-------------|----------------------------|--------|--------------------------------|---------------|
| Ouz01       | One-port Surface mount box | 200PCS | L 53.5cm × W 31.3cm × H 23.4cm | 6.5KG         |
| Ouz02       | Two-port Surface mount box | 100PCS | L 53.5cm × W 31.3cm × H 23.4cm | 8.2KG         |

*The end to end network cabling solution*  
 Linkbasic information technology co.,ltd A brief introduction

**LINKBASIC**  
 Network Cabling Systems